

AeroMed™ 350C

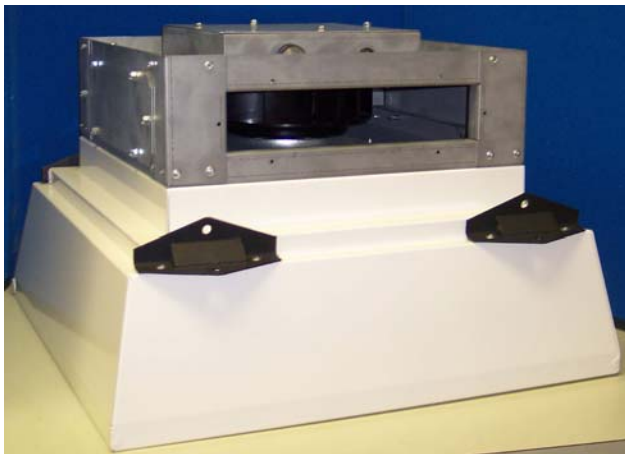
Ceiling Mount Air Purifier



General Overview

The AeroMed™ 350C is a low profile air purifier that is designed to fit in a 2' x 2' ceiling grid. It removes airborne micro-contaminants and can be used for recirculation or exhaust filtration. The unit combines a 30% pre-filter and 99.97% HEPA filter to provide optimal air purification.

The AeroMed™ 350C is an excellent choice for smaller areas where controlling airborne contaminants may be a concern. Typical applications include isolation and exam rooms, waiting areas and procedure rooms. Once air is passed through the HEPA filter, it may be recirculated back to the room or used to create negative pressure by exhausting from the room.



AeroMed™ 350C ceiling mount unit

The 350C includes many advanced features that facilitate easy installation, operation and maintenance.

Features

Easy Installation. The AeroMed 350C comes as two separate components in order to facilitate easy installation by one person. The lightweight filter housing is simply laid in the ceiling grid and then attached to the support system. Once

the filter section is secured, the heavier fan section is placed on top of the filter section and secured.

Easy Operation. The AeroMed 350C is controlled by a variable speed rheostat that is located on the top of the unit. The customer may opt to have the speed control located remotely or to have the unit speed controlled by a room pressure monitor.

Easy Service. The AeroMed™ 350C's easy to open service door provides room side access to the pre and HEPA filter section when the need for replacement arises. The access door is held securely in place by recessed door latches that do not detract from the unit's aesthetics. A retainer clip on the filter access door prevents the pre-filter from falling out of the unit when the door is opened. A unique HEPA clamping device allows for one person to easily and safely change the HEPA filter.



Ducting Choices. The AeroMed 350C comes standard with four exhaust ports. The user may choose to utilize any number of these ports allowing for multiple configurations such as

- Exhaust only
- Recirculation and exhaust
- Recirculation to multiple points in one room

Options

The AeroMed™ 350C is available with remote speed control and filter gauge options for applications where ceiling access is not convenient or possible.

Option #1 - AM-RCP-R

Remote mounted rheostat and filter gauge allows the user to turn the unit on or off and adjust the speed from a remote location. This option also includes a filter gauge which determines proper change out intervals and an hour meter which displays hours of equipment operation. The controls of this wall mounted unit are protected behind a locked lexan panel.

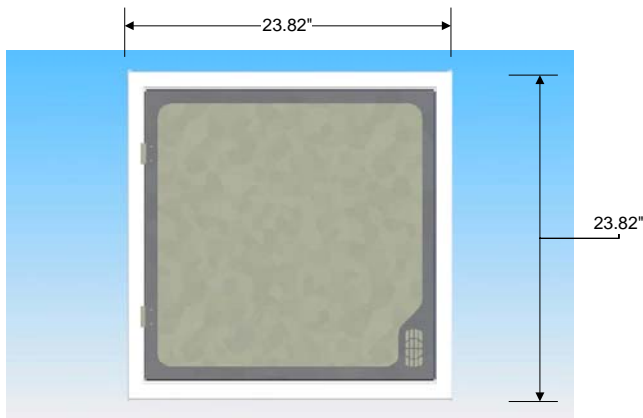


Option #2 – AM-RCP-K

This option is the same as #1 above except it uses a two speed key switch to toggle the units operation between high and low settings.

Option #3 – AM-TRK

This option allows the AM350C to be remotely controlled by a room pressure monitor. The unit is set to run at low speed until the room pressure monitor detects a loss of negative pressure. At that time the monitor sends a signal to increase the fan speed to high in an attempt to compensate for the loss of room pressure. This device may also be configured to display the filter pressure and go into alarm when it is time to change the filter.



Specifications

Blower:

Delivered Air 350 CFM - High
225 CFM - Low
in room up to 14' x 14' x 8'

Electrical

Voltage 115 volts @ 60 Hz
Wattage 100 watts
Amperage 0.67 amps
Plug Hard wire is standard, Hospital grade plug option available

Fuse Internal 5 amp

Sound Level:

<55 dBA

Filters:

Pre-filter 30% ASHRAE

Final filter 99.97% DOP

Dimensions:

23.75"D x 23.75"W x 14.5"H

Filter Housing:

18ga galvanized sheet metal with white powder paint coat finish on room side surface

Fan Housing:

16ga galvanized sheet metal

